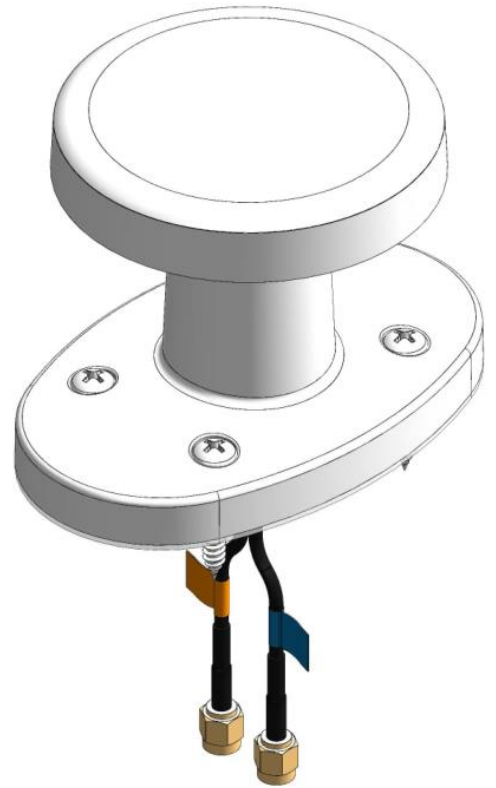


External 2 in 1 Antenna

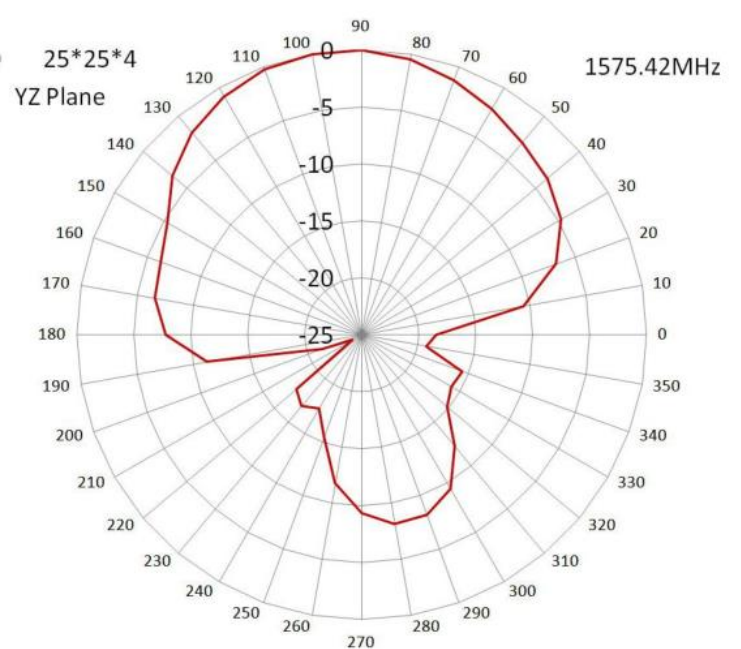
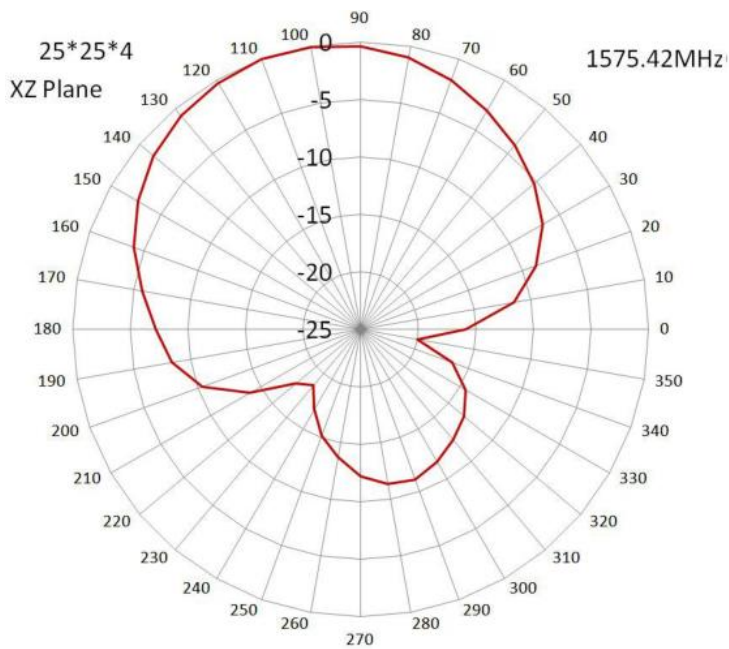
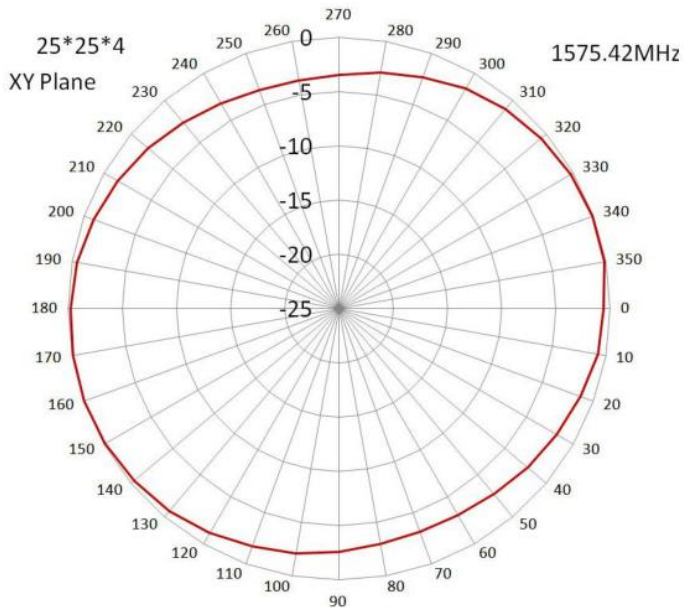
- 2 ports in the same housing
- Technology: GSM/LTE, GPS L1/BD B1
- High gain GNSS antenna (LNA Integrated)
- Screw mounting
- Applications in smart city, small cell, repeater, CPE, wireless networking etc.



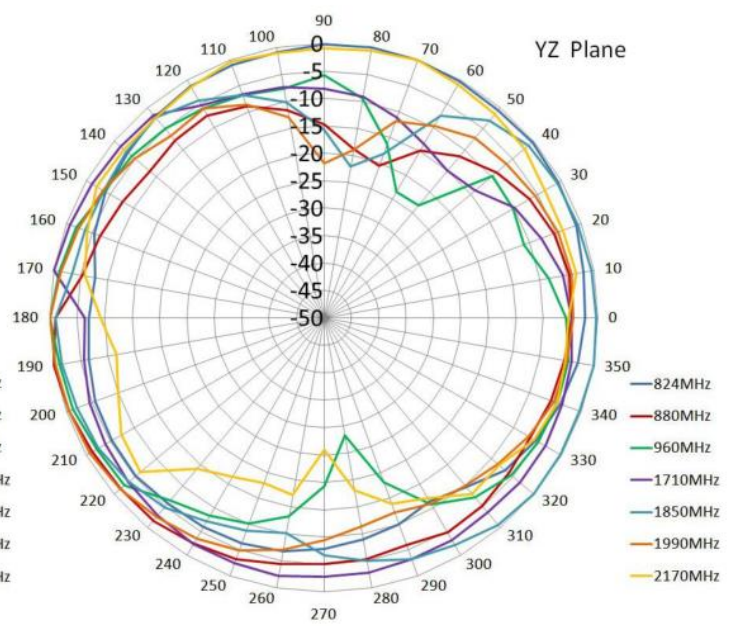
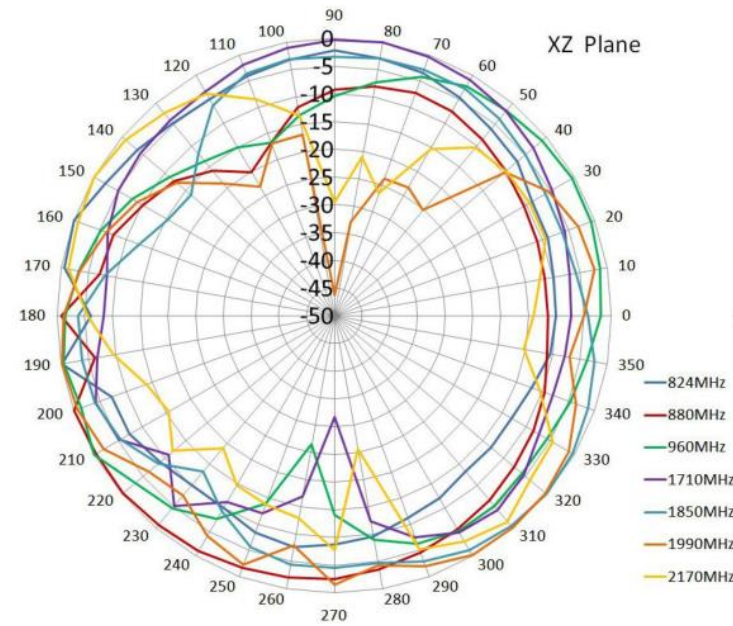
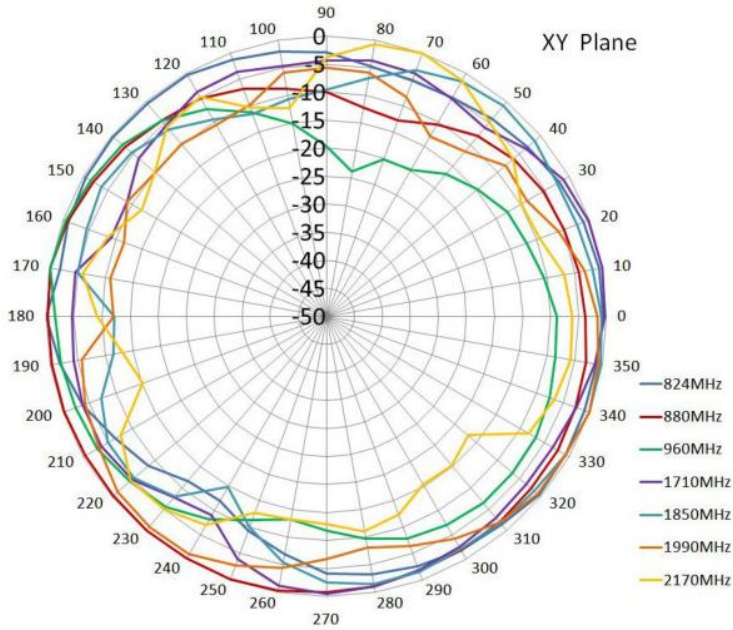
Item	Performance Specifications
GNSS Antenna Center Frequency	1575±3MHz
GNSS Antenna Band Width	CF±5MHz
GNSS Antenna Polarization	RHCP
GNSS Antenna Gain	2dBic (Zenith)
GNSS Antenna V.S.W.R	<1.5
GNSS Antenna Impedance	50 Ω
GNSS Antenna Axial Ratio	3dB (max)
LNA Gain	28±2dB
LNA Noise Figure	<1.5dB
LNA V.S.W.R	<2.0
LNA Supply Voltage	2.2~5V DC
LNA Current Consumption	<15mA
GSM/LTE Antenna Frequency Range	824~960MHz/1710~2170MHz
GSM/LTE Antenna V.S.W.R	<2.5
GSM/LTE Antenna Peak Gain	2dBi
GSM/LTE Antenna Impedance	50Ω
Isolation	<-15dB
Cable	RG174, fully customized
Connector	SMA/MCX/FAKRA, fully customized
Mounting Method	Screw, fully customized
Operating Temperature	-40°C~+85°C
Relative Humidity	Up to 95%
Vibration	10 to 55Hz with 1.5mm amplitude 2 hours
Environmentally Friendly	ROHS compliant
Ingress Protection	IP65~IP67 (exclude cable outlet)

Radiation Pattern

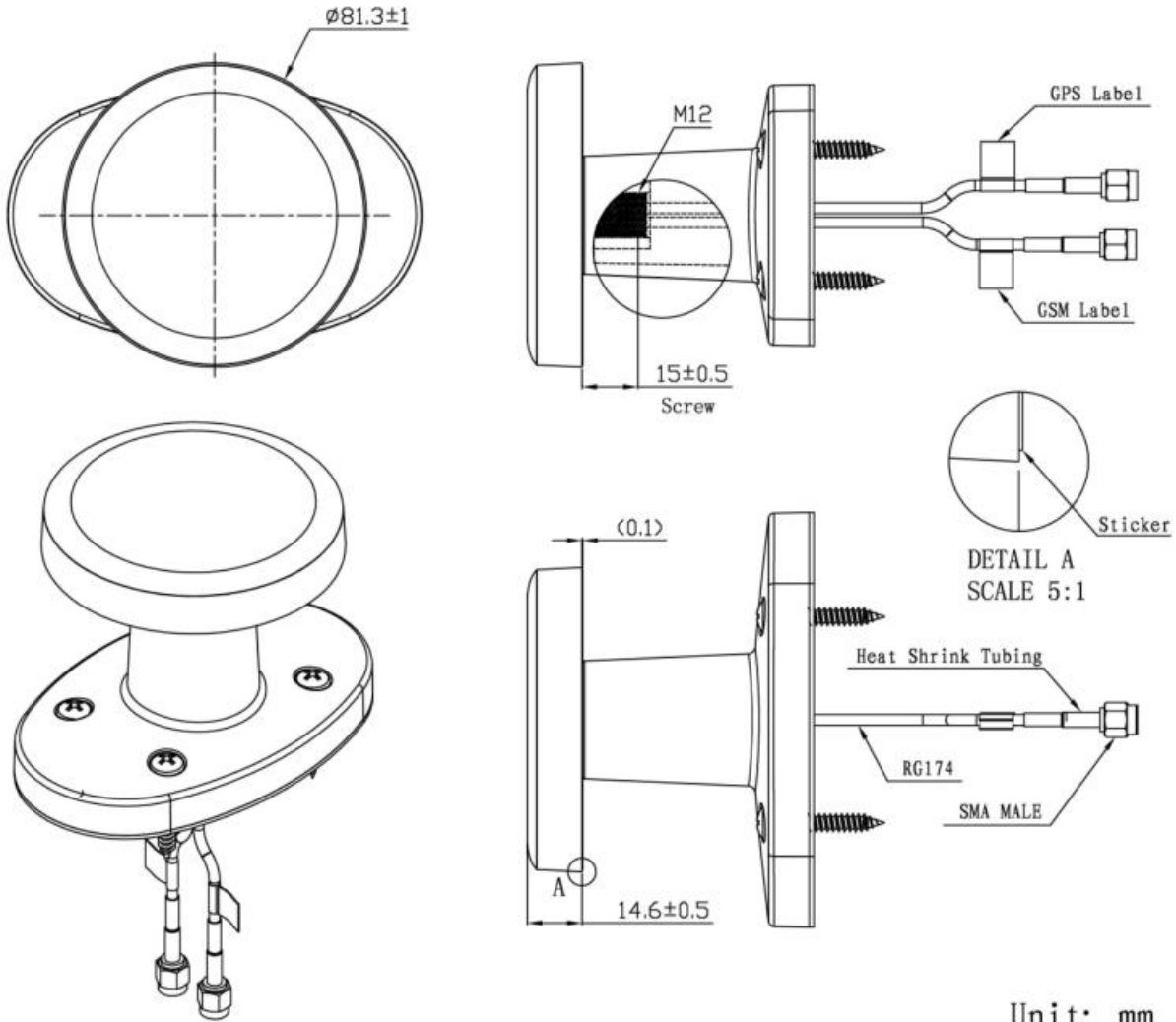
GNSS Antenna



GSM/LTE Antenna



Antenna Mechanical Drawing



Unit: mm