

External Single-port Active GNSS Antenna

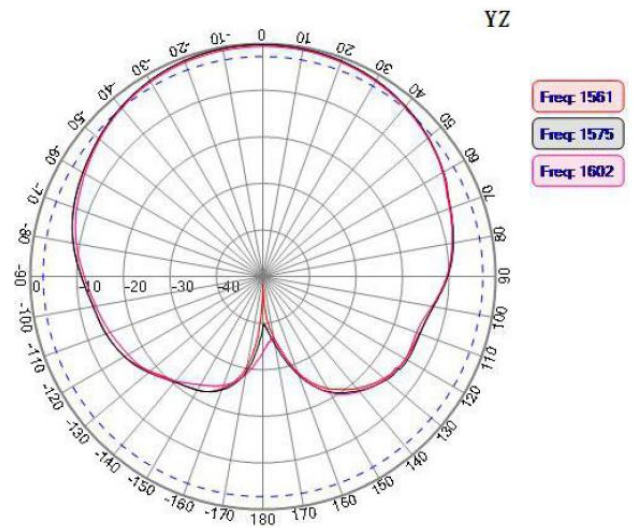
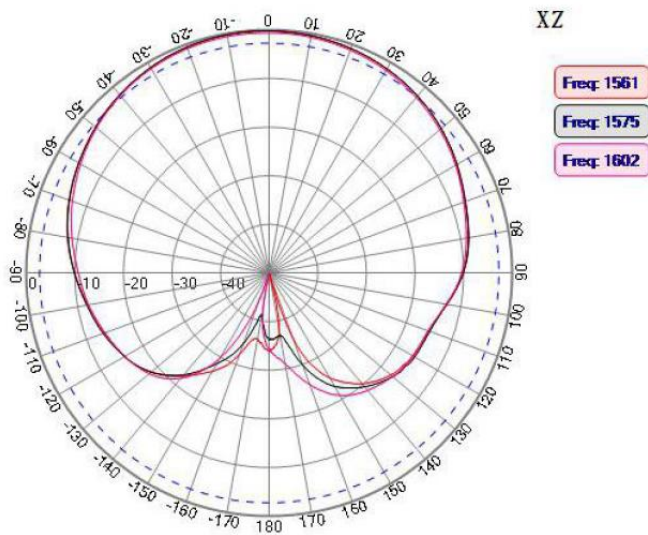
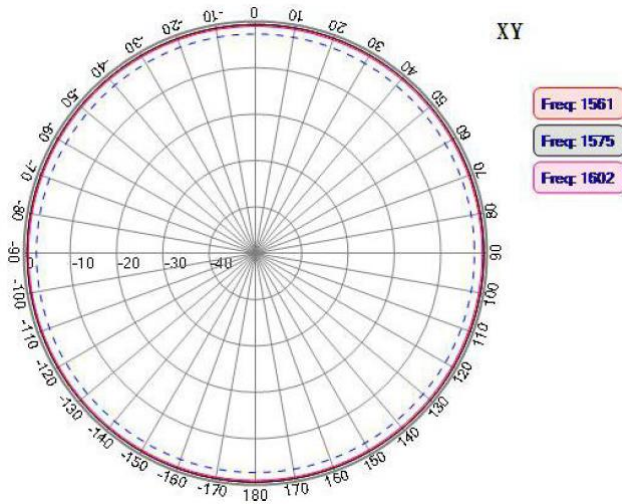
- Technology: GPS L1/BD B1
- High gain GNSS antenna (LNA Integrated)
- Magnet/Adhesive mounting
- Applications in utilities, tracking, transportation, wireless communications etc.



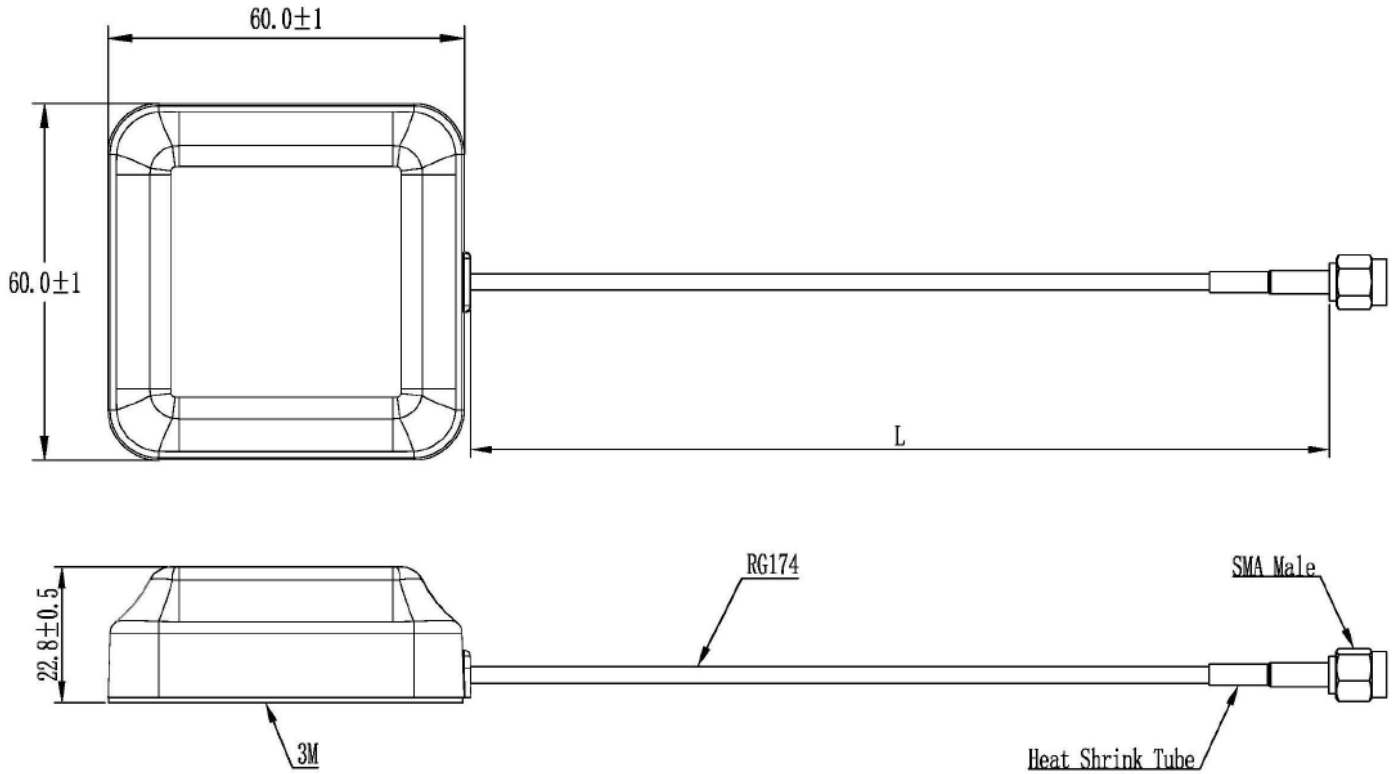
Item	Performance Specifications
GNSS Antenna Center Frequency	GPS L1/BD B1
GNSS Antenna Polarization	RHCP
GNSS Axial Ratio(min)	≤3dB
GNSS Antenna Peak Gain	≥5dBi
GNSS Antenna V.S.W. R	≤1.5
GNSS Antenna Impedance	50 Ω
GNSS Horizontal coverage angle	360°
LNA Gain	30±2dB
LNA Noise Figure	≤2dB
Passband fluctuation	±1.5dB
LNA V.S.W. R	≤2.0
LNA Supply Voltage	3~5V DC
Current Consumption	≤35mA
Cable	RG174, fully customized
Connector	FAKRA , fully customized
Radome Material	ABS
Mounting Method	Magnet/Adhesive, fully customized
Operating Temperature	-40°C~+85°C
Relative Humidity	Up to 95%
Ingress Protection	IP66
Vibration	10 to 55Hz with 1.5mm amplitude 2 hours
Environmentally Friendly	ROHS compliant

Radiation Pattern

GNSS Antenna



Antenna Mechanical Drawing



Unit: mm