

External Single-port Active GNSS Antenna

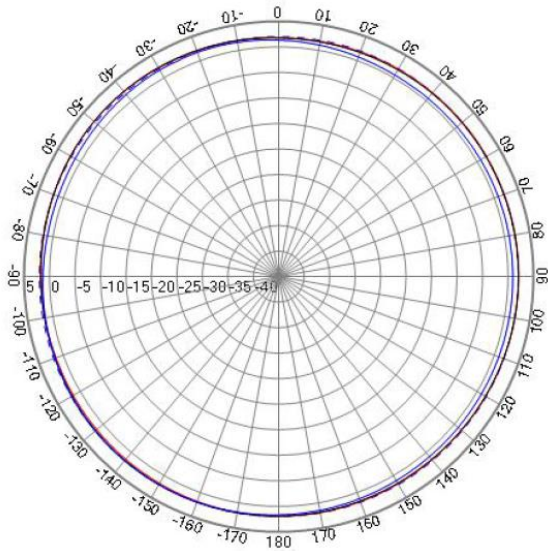
- Technology: GPS L1/BD B1
- High gain GNSS antenna (LNA Integrated)
- Screw mounting
- Applications in utilities, tracking, transportation, wireless communications etc.



Item	Performance Specifications
GNSS Antenna Center Frequency	1561.098~1602MHz
GNSS Antenna Polarization	RHCP
GNSS Axial Ratio	4dB@90°
GNSS Antenna Gain	5dBic@100mm Ground Plane (Zenith)
GNSS Antenna V.S.W. R	<1.5
GNSS Antenna Impedance	50 Ω
LNA Gain	40dB typ.
LNA Noise Figure	≤2.5dB
LNA V.S.W. R	<2.0
LNA Supply Voltage	2.7~10V DC
Current Consumption	≤25mA
Connector	TNC, fully customized
Radome Material	ABS
Mounting Method	Screw, fully customized
Operating Temperature	-40°C~+85°C
Relative Humidity	Up to 95%
Ingress Protection	IP67
Vibration	3 axis,10 to 200Hz,sweep 15min,3G
Shock	Vertical axis:50G,other axes:30G
Environmentally Friendly	ROHS compliant
ESD Protection	15KV air discharge

Radiation Pattern

GNSS Antenna

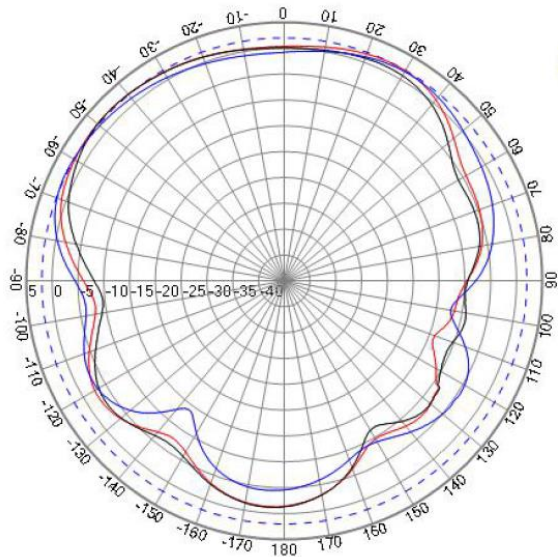


XY PLANE

测试频率: 1561

测试频率: 1575

测试频率: 1602

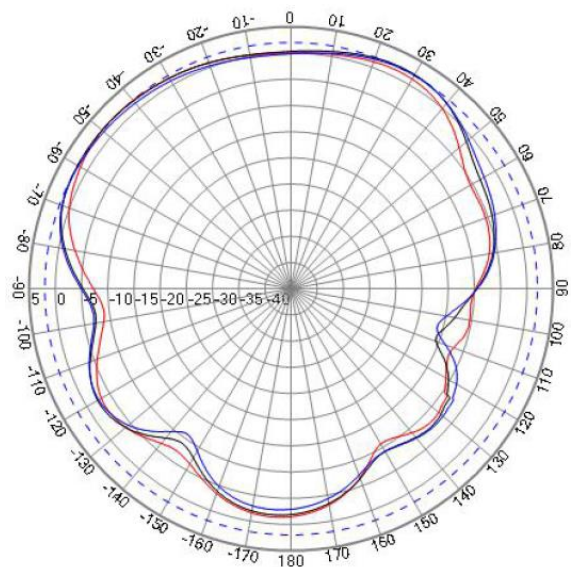


XZ PLANE

测试频率: 1561

测试频率: 1575

测试频率: 1602



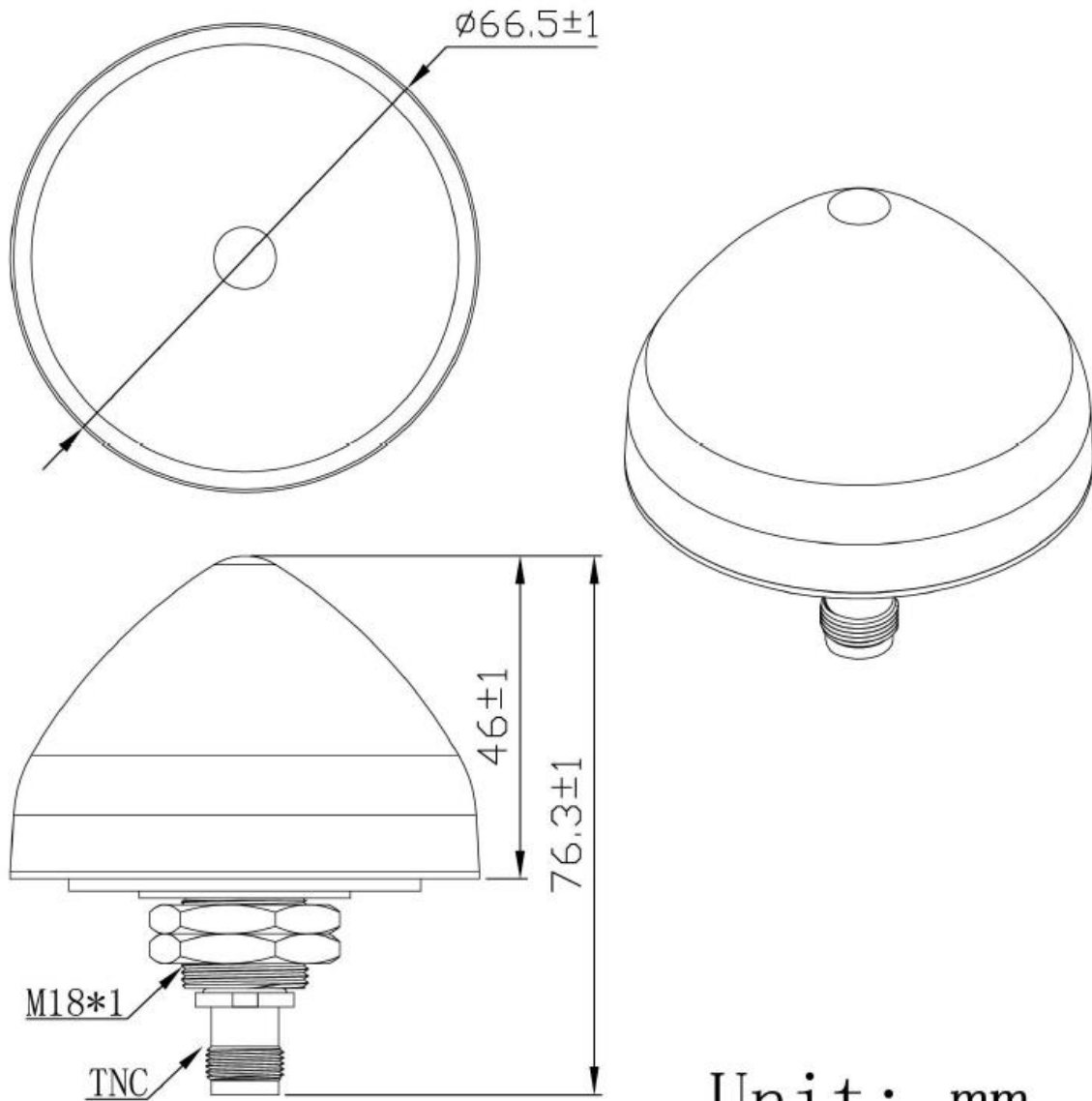
YZ PLANE

测试频率: 1561

测试频率: 1575

测试频率: 1602

Antenna Mechanical Drawing



Unit: mm