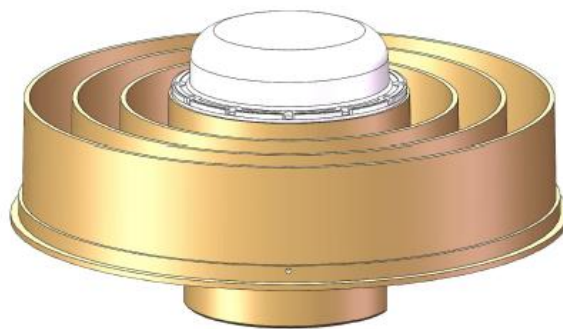
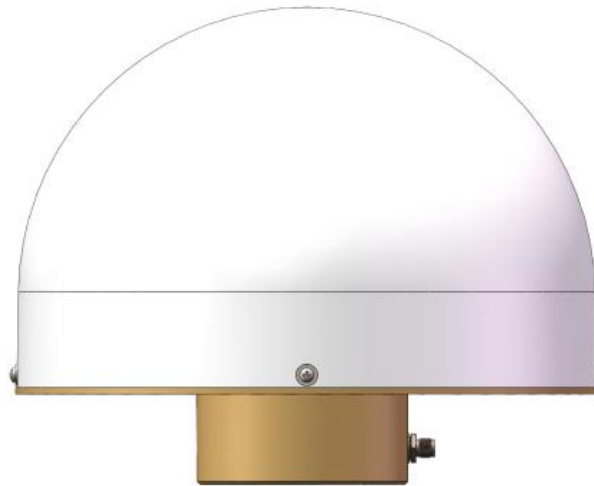


External Single-port Active GNSS Antenna

- Technology: GPS L1 L2 L5/BD B1 B2 B3
- High gain GNSS antenna (LNA Integrated)
- Screw/Adhesive mounting
- Applications in utilities, tracking, transportation, wireless communications etc.



| Item | Performance Specifications |
|-------------------------------|----------------------------------|
| GNSS Antenna Center Frequency | 1176Mhz/1226MHz/1575MHz |
| GNSS Antenna Polarization | RHCP |
| GNSS Axial Ratio | 3dB (max) |
| GNSS Antenna Peak Gain | ≥7dBi |
| GNSS Antenna V.S.W. R | ≤2.0 |
| GNSS Antenna Impedance | 50 Ω |
| Horizontal Coverage Angle | 360° |
| Phase Center Error | ±1.5mm |
| LNA Gain | 45±2dB |
| LNA Noise Figure | ≤1.5dB |
| LNA V.S.W. R | ≤2.0 |
| LNA Supply Voltage | 3~16V DC |
| Passband fluctuation | ±1.5dB |
| P1dB | ≥0dBm |
| Current Consumption | ≤60mA |
| Connector | TNC-K, fully customized |
| Mounting Method | Screw/Adhesive, fully customized |
| Operating Temperature | -40°C~+85°C |
| Storage temperature | -55°C~+85°C |
| Relative Humidity | Up to 95% (Non condensing) |

Antenna Mechanical Drawing

