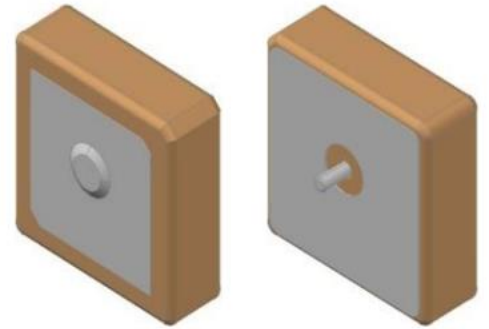


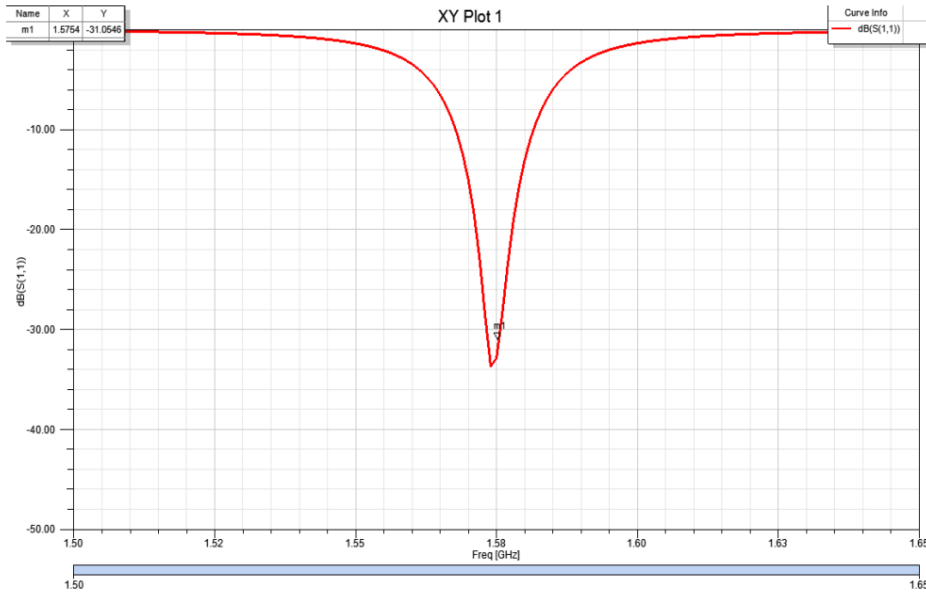
## Internal Ceramic GNSS Patch Antenna

- Embedded passive antennas for GNSS
- Compact.
- Technology: GPS L1/Beidou B1
- Pin type
- Applications in navigation, automotive, tracking, monitoring, security etc.

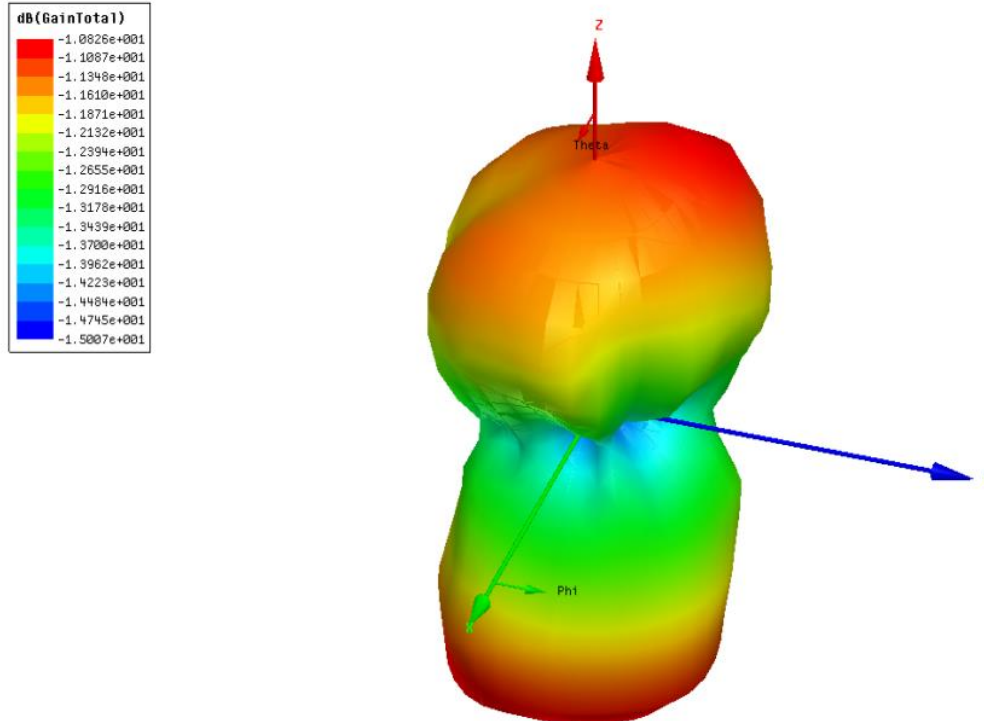


Item	Performance Specifications
Center Frequency	1575.42±3MHz
Return Loss @ F0	≤-15 dB
Polarization	RHCP
Peak Gain @ Zenith	-12.0 dBic
Impedance	50 Ω
Frequency Temperature Coefficient	±20 ppm/°C
Operation Temperature Range	-40 ~ +85°C

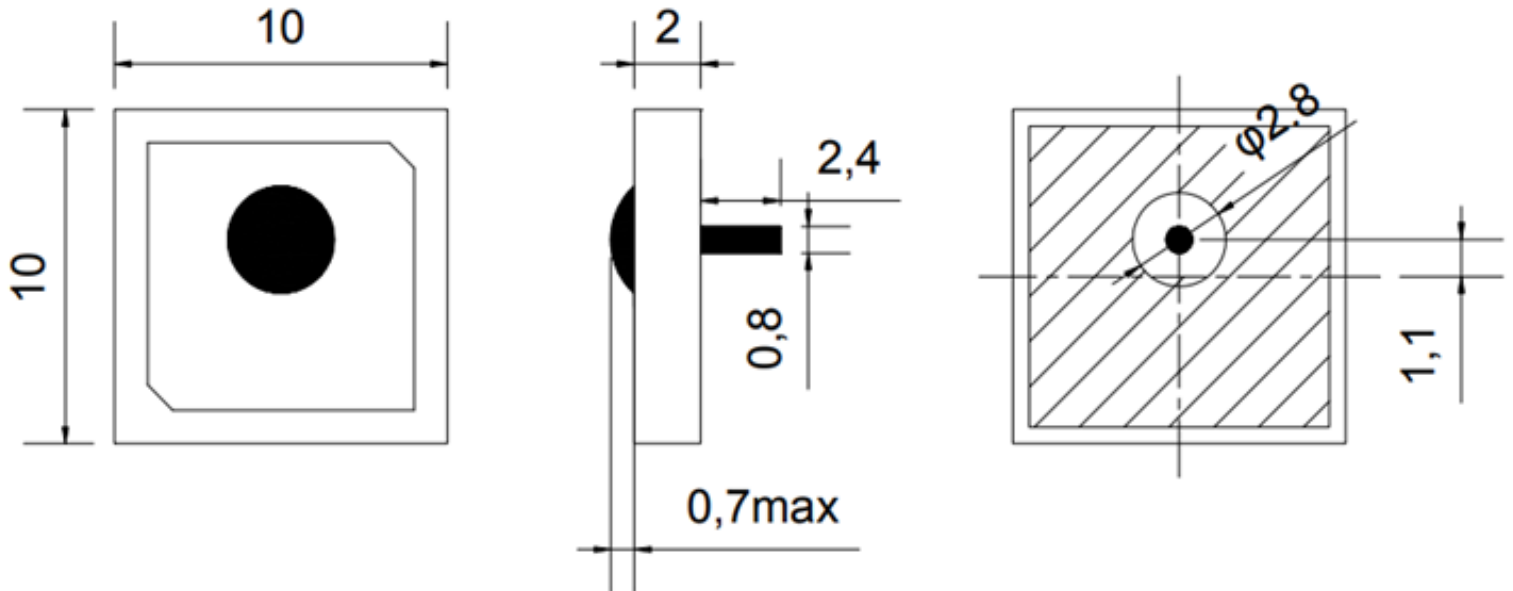
## S-parameter



## Radiation Pattern



## Antenna Mechanical Drawing



Tolerance:  $\pm 0.30$   
Unit: mm