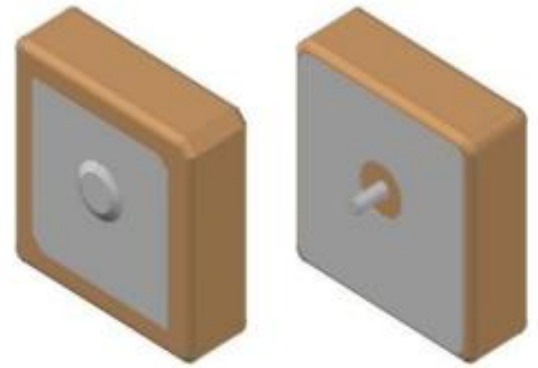


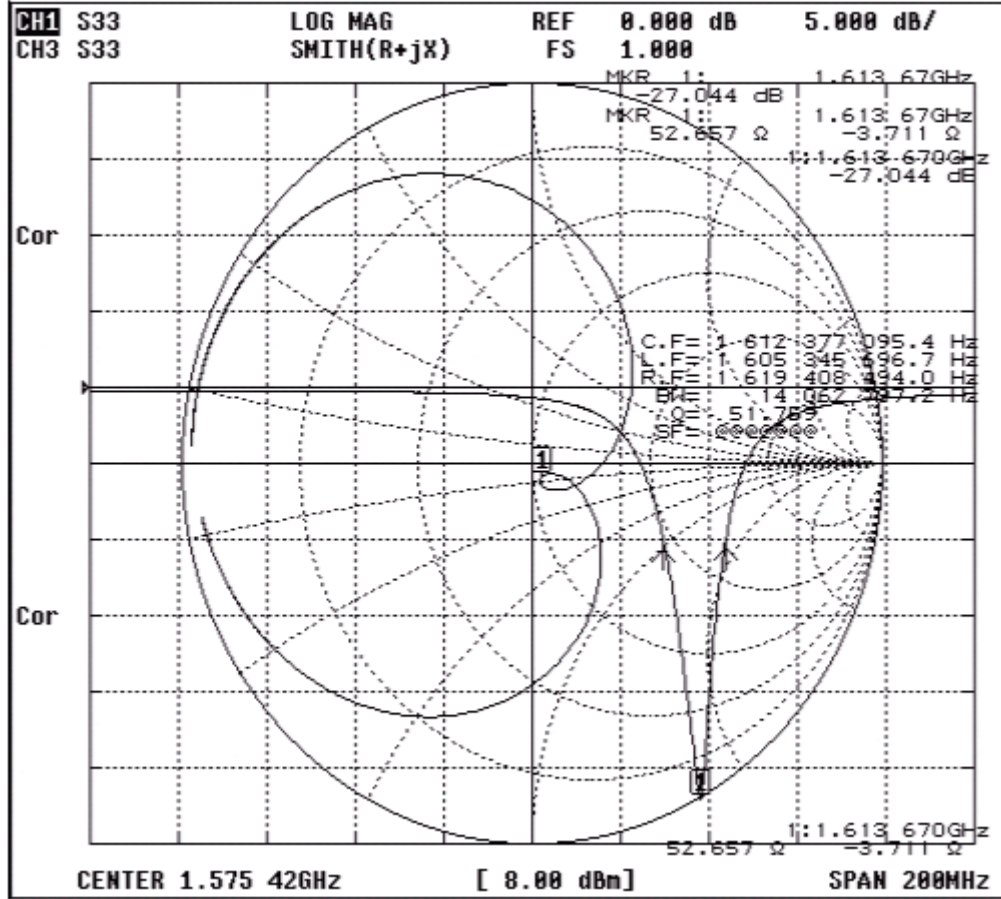
Internal Ceramic GNSS Patch Antenna

- Embedded passive antennas for GNSS
- Compact.
- Technology: Beidou B1/ GLONASS
- Pin type
- Applications in navigation, automotive, tracking, monitoring, security etc.

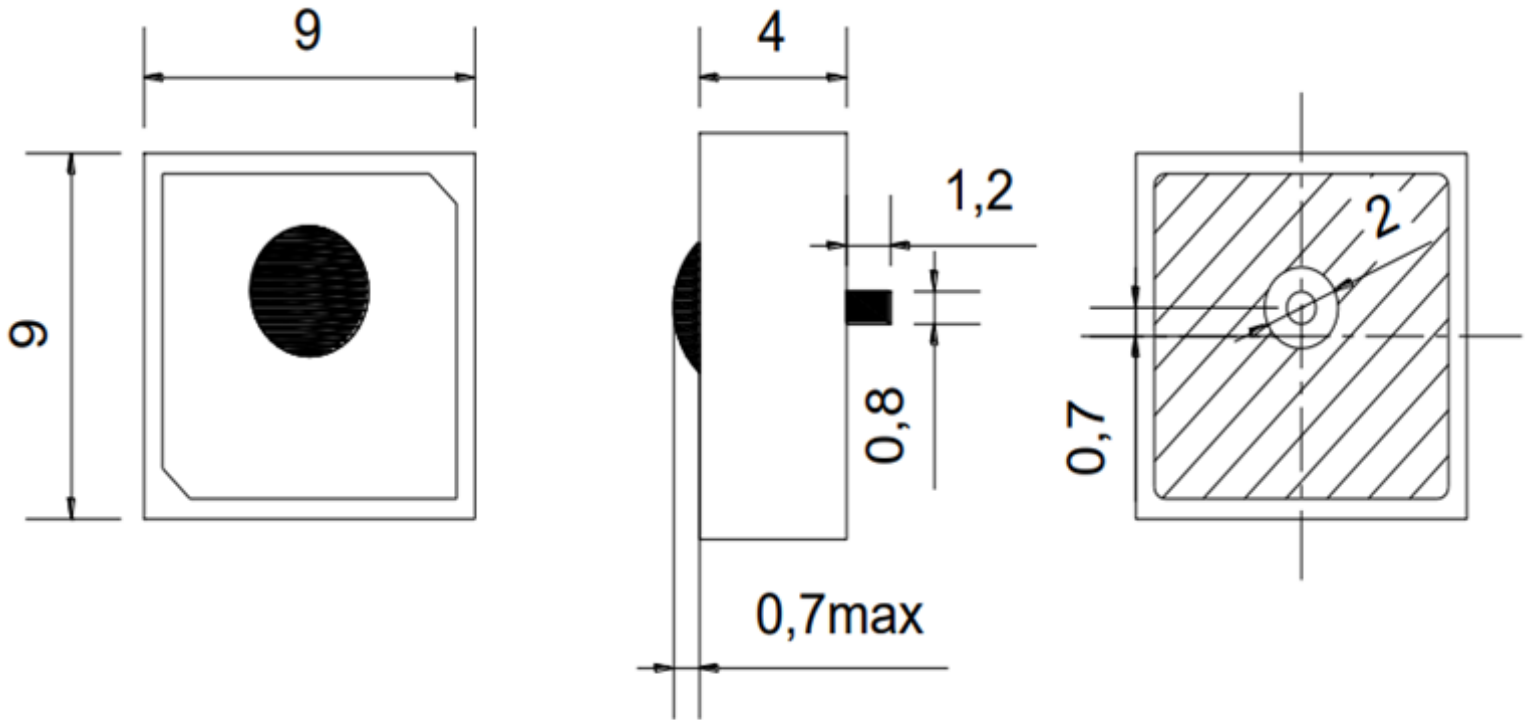


Item	Performance Specifications
Center Frequency	1602MHz
Return Loss @ F0	≤-15 dB
Polarization	RHCP
Peak Gain @ Zenith	-12 dBic
Impedance	50 Ω
Frequency Temperature Coefficient	±20 ppm/°C
Operation Temperature Range	-40 ~ +85°C

S-parameter



Antenna Mechanical Drawing



Tolerance: ± 0.30
Unit: mm