

## External Single-port Active GNSS Antenna

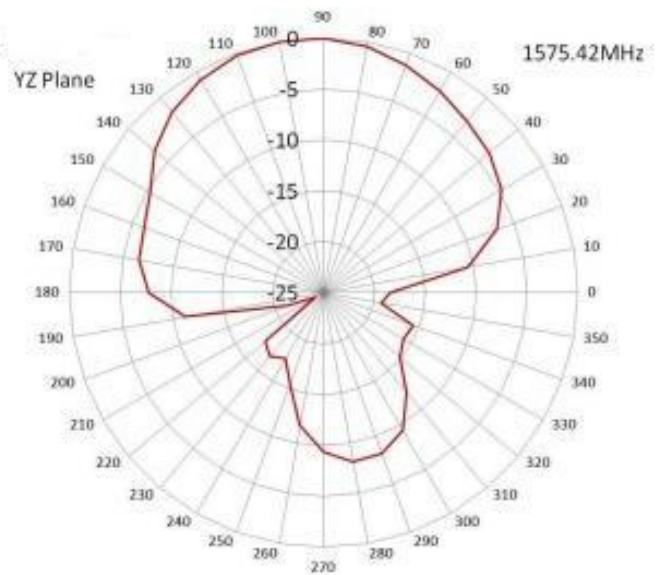
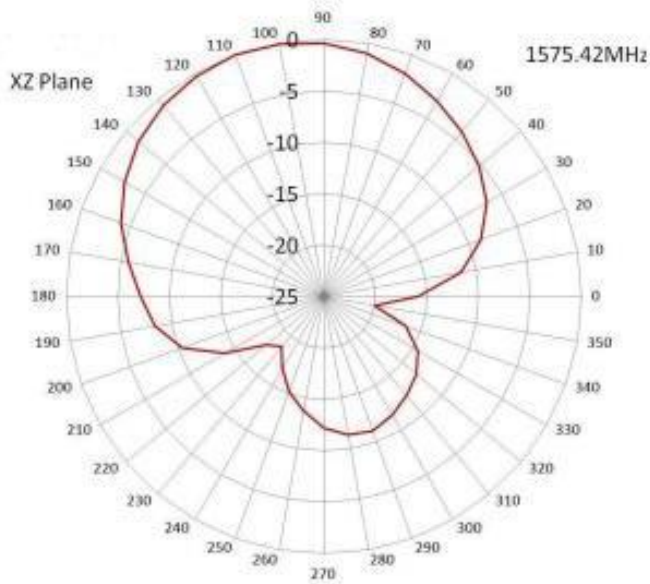
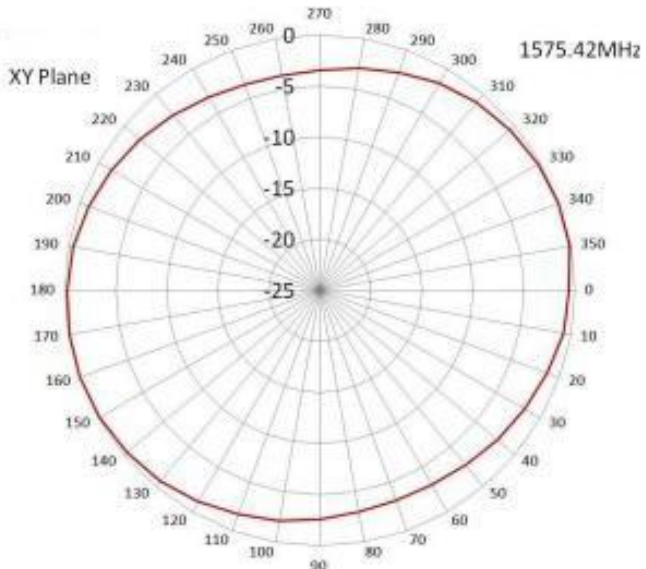
- High Gain > 28dB, LNA integrated
- Technology: GPS L1, Beidou B1
- Adhesive/magnet mounting options.
- Applications in utilities, tracking, transportation, wireless communications etc.



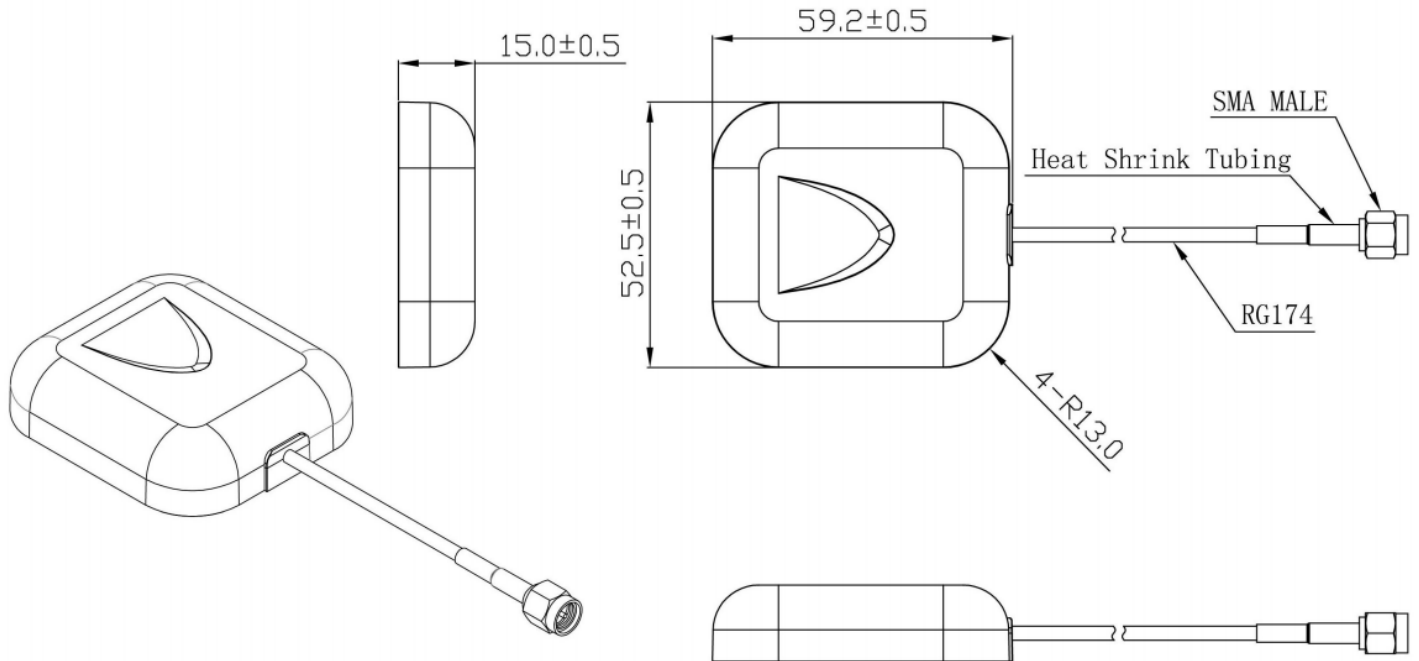
Item	Performance Specifications
Center Frequency	1575±3MHz
Band Width	CF±5MHz
Polarization	RHCP
Peak Gain	2dBic (Zenith)
V.S.W.R	<1.5
Impedance	50 Ω
Axial Ratio	3dB (max)
LNA Gain	28±2dB
LNA Noise Figure	<1.5dB
LNA V.S.W.R	<2
LNA Supply Voltage	2.2~5V DC
LNA Current Consumption	<15mA
Cable	RG174, fully customized
Connector	SMA/MCX/FAKRA, fully customized
Mounting Method	Adhesive, Magnet, fully customized
Operating Temperature	-40°C~+85°C
Relative Humidity	Up to 95%
Vibration	10 to 55Hz with 1.5mm amplitude 2 hours
Environmentally Friendly	ROHS compliant

## Radiation Pattern

### GNSS Antenna



## Antenna Mechanical Drawing



Unit: mm