

External Single-port Active GNSS Antenna

- Technology: GPS L1 L5/BD B1 B2
- High gain GNSS antenna (LNA Integrated)
- Magnet/Adhesive mounting
- Applications in utilities, tracking, transportation, wireless communications etc.

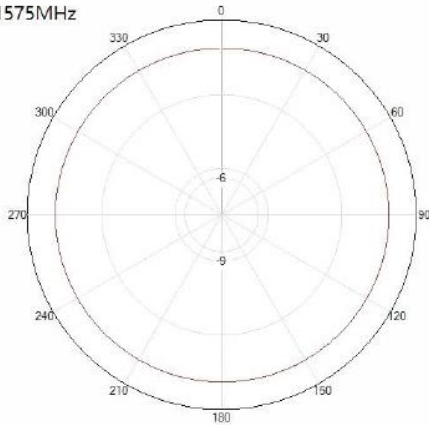


Item	Performance Specifications
GNSS Antenna Center Frequency	1176MHz/1575MHz
GNSS Antenna Polarization	RHCP
GNSS Axial Ratio	3dB (max)
GNSS Antenna Gain	2dBic@PCB (Zenith)
GNSS Antenna V.S.W. R	<1.5
GNSS Antenna Impedance	50 Ω
LNA Gain	28±2dB
LNA Noise Figure	≤1.5dB
LNA V.S.W. R	≤2.0
LNA Supply Voltage	3~5V DC
Current Consumption	≤45mA
Cable	RG174
Connector	SMA or others
Radome Material	ABS
Mounting Method	Magnet/Adhesive
Operating Temperature	-40°C~+85°C
Relative Humidity	Up to 95%
Ingress Protection	IP67
Vibration	10 to 55Hz with 1.5mm amplitude 2hours
Environmentally Friendly	ROHS compliant

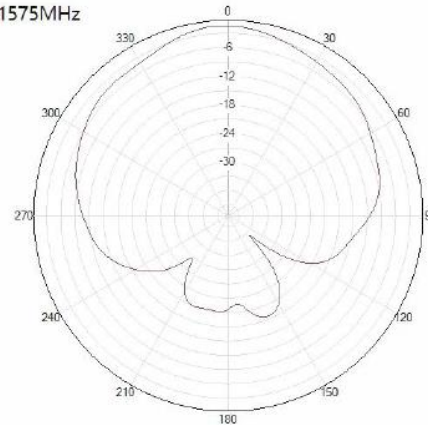
Radiation Pattern

GNSS Antenna

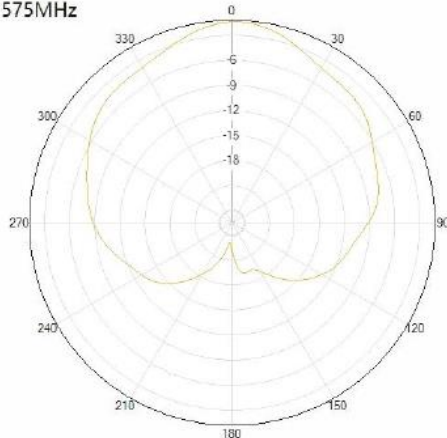
XY-PLANE
1575MHz



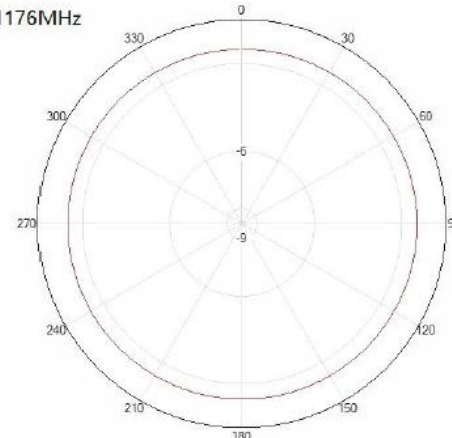
XZ-PLANE
1575MHz



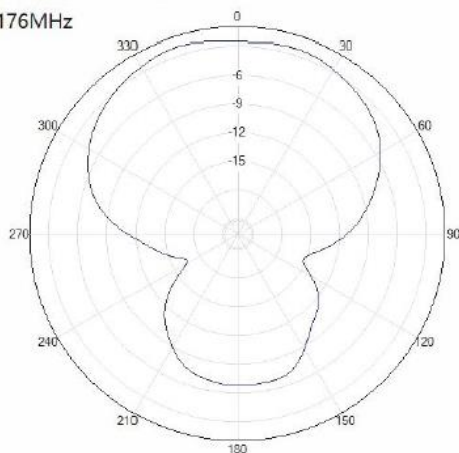
YZ-PLANE
1575MHz



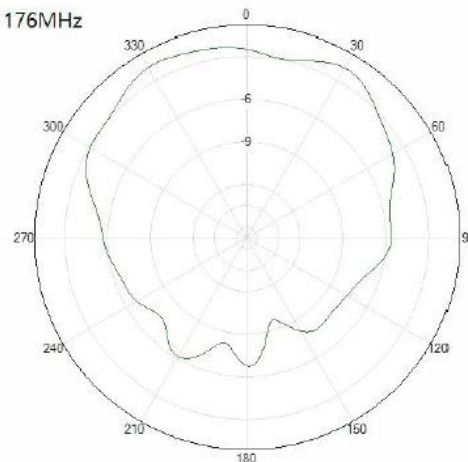
XY-PLANE
1176MHz



XZ-PLANE
1176MHz



YZ-PLANE
1176MHz



Antenna Mechanical Drawing

